

spectro::lyser™ industrial

spectro::lyser™ industrial monitors depending on the application an individual selection of: TSS, turbidity, NO₃-N, COD, BOD, TOC, DOC, UV254, NO₂-N, color, BTX, O₃, HS-, AOC, fingerprints, spectral alarms and temperature

- s::can plug & measure
- measuring principle: UV-Vis spectrometry over the total range (190-750 nm)
- ideal for industrial waste water and sewer applications
- factory precalibrated, with advanced calibration service included
- long term stable and maintenance free in operation
- automatic cleaning with compressed air
- mounting and measurement directly in the media (InSitu) or in a flow cell (monitoring station)
- adaption of optical path lengths to 35 mm, 15 mm, 5 mm, 2 mm, 1 mm or 0.5 mm possible
- easy mounting without clogging
- Suitable for use in hazardous areas where explosive atmospheres are present: zone 1 & 2



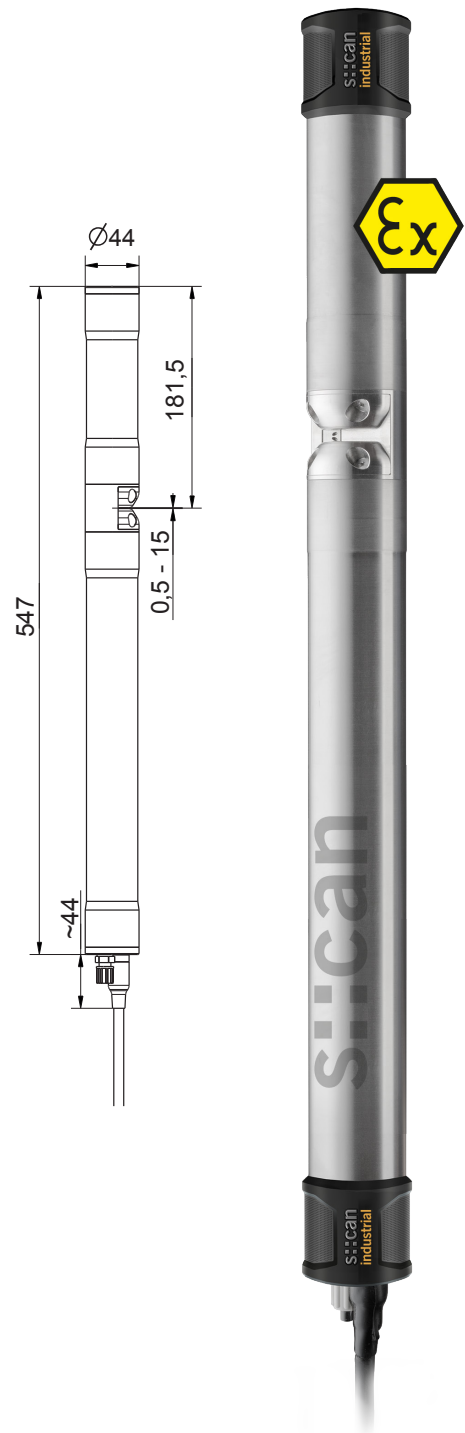
up to 10 bar
operating pressure



explosion proof
specification



advanced calibration
service



recommended accessories

part number	article name
B-32-xxx	s::can compressor
D-315-xxx	con::cube
F-120-V3	carrier s::can spectrometer V3 & V2 probe, vertical attachment
F-48-V3	spectrometer V3 & V2 flow-cell (bypass setup), PVC
S-11-xx-moni	moni::tool Software

technical specification

measuring principle	UV-Vis spectrometry 190 - 750 nm UV spectrometry 190 - 390 nm	cable type	PU jacket
measuring principle detail	xenon flash lamp, 256 photo diodes	housing material	stainless steel 1.4404
automatic compensation instrument	two beam measurement, complete spectrum	window material	optical path length 5 ... 0.5 mm: sapphire optical path length 35 mm: fused silica (UV-grade)
automatic compensation cross sensitivities	turbidity / solids / organic substances	weight (min.)	3.4 kg (incl. cable)
precalibrated ex-works	all parameters	dimensions (Ø x l)	44 mm x 547 mm / 591 mm
accuracy standard solution (>1 mg/l)	NO ₃ -N: +/- 2% +1/OPL[mg/l]* COD-KHP: +/-2% +10/OPL[mg/l]* (* OPL ... optical pathlength in mm)	operating temperature	0 ... 45 °C
access to raw signals	access to spectral information	operating pressure	0 ... 10 bar
reference standard	distilled water	explosion proof specification (optional)	RL 2014/34/EU, TÜV-A16 ATEX 3001Q ATEX Marking: II 2 G Ex db IIC T6 Gb
onboard memory	656 KB	installation / mounting	submersed or in a flow cell
integrated temperature sensor	-10 ... 50 °C	flow velocity	3 m/s (max.)
resolution temperature sensor	0.1 °C	mechanical stability	30 Nm
integration via	con::cube con::lyte con::nect	ingress protection class	IP68
power supply	11 ... 15 VDC	automatic cleaning	media: compressed air or autobrush
power consumption (typical)	4.2 W	storage temperature	-10 ... 50 °C
power consumption (max.)	20 W	conformity - EMC	EN 61326-1, EN 61326-2-3
interface to s::can terminals	MIL connector, RS485	conformity - safety	EN 61010-1
interface to third party terminals	con::nect incl. gateway modbusRTU	standard warranty	2 years
cable length	7.5 m fixed cable (-075) or 1 m fixed cable (-010)	extended warranty (optional)	3 years

paper mill WWTP influent

		parameter					part number
		TSS [mg/l]	COD [mg/l]	COD f [mg/l]	UV254 [Abs/m]	UV254 f [Abs/m]	
spectro::lyser™ UV-Vis (TSS, COD, CODf, UV254, UV254f)	min.	0	0	0	0	0	SP-1-002-p0-s-EX-010 / -075 (incl. Global Calibration p1)
	max.	3000	5000	4250	1250	1000	

paper mill WWTP effluent

		parameter						part number
		TSS [mg/l]	COD [mg/l]	COD f [mg/l]	NO ₃ -N [mg/l]	UV254 [Abs/m]	UV254 f [Abs/m]	
spectro::lyser™ UV-Vis (TSS, NO ₃ -N, COD, CODf, UV254, UV254f)	min.	0	0	0	0	0	0	SP-1-002-p0-s-EX-010 / -075 (incl. Global Calibration q1)
	max.	1000	350	350	10	1250	1000	

brewery WWTP influent

		parameter				part number
		TSS [mg/l]	COD [mg/l]	UV254 [Abs/m]	UV254 f [Abs/m]	
spectro::lyser™ UV-Vis (TSS, COD, UV254, UV254f)	min.	0	0	0	0	SP-1-002-p0-s-EX-010 / -075 (incl. Global Calibration b1)
	max.	5000	45000	1250	1000	

municipal sewer

		parameter							part number	
		TSS [mg/l]	BOD [mg/l]	COD [mg/l]	COD f [mg/l]	NO ₃ -N [mg/l]	HS- [mg/l]	UV254 [Abs/m]		UV254 f [Abs/m]
spectro::lyser™ UV-Vis (TSS, NO ₃ -N, COD, BOD, UV254, UV254f)	min.	0	0	0		0		0	0	SP-1-002-p0-s-EX-010 / -075 (incl. Global Calibration i3)
	max.	3000	2000	3750		40		1250	1000	
spectro::lyser™ UV-Vis (TSS, NO ₃ -N, COD, CODf, UV254, UV254f)	min.	0		0	0	0		0	0	SP-1-002-p0-s-EX-010 / -075 (incl. Global Calibration i1)
	max.	3000		3750	1250	40		1250	1000	
spectro::lyser™ UV-Vis (TSS, NO ₃ -N, COD, HS-, UV254, UV254f)	min.	0		0		0	0	0	0	SP-1-002-p0-s-EX-010 / -075 (incl. Global Calibration i5)
	max.	3000		3750		40	25	1250	1000	